

**Criterion™**

# User's Manual

1.6 Cu.Ft. Over the Range Microwave

MODEL: CMH16M1W

**BEFORE USING YOUR PRODUCT:** Please read this manual carefully & follow all safety rules & operating instructions. Keep this manual for future reference.



# TABLE OF CONTENTS

PRECAUTIONS TO AVOID POSSIBLE EXPOSURE TO EXCESSIVE MICROWAVE ENERGY	2
SPECIFICATIONS	2
IMPORTANT SAFETY INSTRUCTIONS	3
GROUNDING INSTRUCTIONS	5
UTENSILS	6
MATERIALS YOU CAN USE IN MICROWAVE OVEN	6
MATERIALS TO BE AVOIDED IN MICROWAVE OVEN	7
PART NAMES	8
OPERATION INSTRUCTIONS	9
MAINTENANCE	13
CLEANING AND CARE	14

## PRECAUTIONS TO AVOID POSSIBLE EXPOSURE TO EXCESSIVE MICROWAVE ENERGY

- (a) Do not attempt to operate this oven with the door open since open door operation can result in harmful exposure to microwave energy.  
It is important not to defeat or tamper with the safety interlocks.
- (b) Do not place any object between the oven front face and the door or allows soil or cleaner residue to accumulate on sealing surfaces.
- (c) Do not operate the oven if it is damaged. It is particularly important that the oven door close properly and that there is no damage to the:
  - (1) DOOR (bent)
  - (2) HINGES AND LATCHES (broken or loosened)
  - (3) DOOR SEALS AND SEALING SURFACES
- (d) The oven should not be adjusted or repaired by anyone except properly qualified service personnel.

## SPECIFICATIONS

Model:	CMH16M1W
Rated Voltage:	120V~60Hz
Rated Input Power(Microwave):	1550 Watt
Rated Output Power(Microwave):	1000 Watt
Oven Capacity:	1.6Cu.ft
Turntable Diameter:	13.6inches
External Dimensions(LxWxH):	29.9X15.0X16.4 inches
Net Weight:	Approx. 53Lbs

# IMPORTANT SAFETY INSTRUCTIONS

When using electrical appliances basic safety precautions should be followed, including the following:

**WARNING** - To reduce the risk of burns, electric shock, fire, injury to persons or exposure to excessive microwave energy:

1. Read all instructions before using the appliance.
2. Read and follow the specific: "PRECAUTIONS TO AVOID POSSIBLE EXPOSURE TO EXCESSIVE MICROWAVE ENERGY" found on page 2.
3. This appliance must be grounded. Connect only to properly grounded outlet. See "GROUNDING INSTRUCTIONS" found on page 4.
4. Install or locate this appliance only in accordance with the provided installation instructions.
5. Some products such as whole eggs and sealed containers - for example, closed glass jars - are able to explode and should not be heated in this oven.
6. Use this appliance only for its intended use as described in the manual. Do not use corrosive chemicals or vapors in this appliance. This type of oven is specifically designed to heat, cook or dry food. It is not designed for industrial or laboratory use.
7. As with any appliance, close supervision is necessary when used by children.
8. Do not operate this appliance if it has a damaged cord or plug, if it is not working properly, or if it has been damaged or dropped.
9. This appliance should be serviced only by qualified service personnel. Contact nearest authorized service facility for examination, repair, or adjustment.
10. Do not cover or block any openings on the appliance.
11. Do not store this appliance outdoors. Do not use this product near water - for example, near a kitchen sink, in a wet basement, near a swimming pool, or similar location.
12. Do not immerse cord or plug in water.
13. Keep cord away from heated surface.
14. Do not let cord hang over edge of table or counter.
15. When cleaning surfaces of door and oven that comes together on closing the door, use only mild, nonabrasive soaps, or detergent applied with a sponge or soft cloth.
16. To reduce the risk of fire in the oven cavity:
  - 1). Do not overcook food. Carefully attend appliance when paper, plastic, or other combustible materials are placed inside the oven to facilitate cooking.
  - 2). Remove wire twist-ties from paper or plastic bag before placing bag in oven.
  - 3). If material inside of the oven ignite, keep oven door closed, turn oven off, and disconnect the power cord, or shut off power at the fuse or circuit breaker panel.
  - 4). Do not use the cavity for storage purposes. Do not leave paper products, cooking utensils, or food in the cavity when not in use.
17. Liquids, such as water, coffee, or tea are able to be overheated beyond the boiling point without appearing to be boiling. Visible bubbling or boiling when the container is removed from the microwave oven is not always present.

## **IMPORTANT SAFETY INSTRUCTIONS (continued)**

THIS COULD RESULT IN VERY HOT LIQUID SUDDENLY BOILING OVER WHEN THE CONTAINER IS DISTURBED OR A UTENSIL IS INSERTED INTO THE LIQUID.

To reduce the risk of injury to persons:

- 1) Do not overheat the liquid.
  - 2) Stir the liquid both before and halfway through heating it.
  - 3) Do not use straight-sided containers with narrow necks.
  - 4) After heating, allow the container to stand in the microwave oven for a short time before removing the container.
  - 5) Use extreme care when inserting a spoon or other utensil into the container.
18. Do not operate any heating or cooking appliance beneath the appliance.  
(Exception: A microwave oven investigated for use above another heating appliance.)
  19. Do not mount unit over or near any portion of heating or cooking appliance.  
(Exception: A microwave oven investigated for use above another heating appliance.)
  20. Do not mount over sink.
  21. Do not store anything directly on top of the appliance surface when the appliance is in operation .
  22. Clean Ventilation Hoods Frequently - Grease should not be allowed to accumulate on hood or filter.
  23. When flaming foods under the hood, turn the fan on.
  24. Use care when cleaning the vent-hood filter. Corrosive cleaning agents, such as lye-based oven cleaners, may damage the filter.
  25. Suitable for use above both gas and electric cooking equipment.

## **SAVE THESE INSTRUCTIONS**

# GROUNDING INSTRUCTIONS

This appliance must be grounded. In the event of an electrical short circuit, grounding reduces the risk of electric shock by providing an escape wire for the electric current. This appliance is equipped with a cord having a grounding wire with a grounding plug. The plug must be plugged into an outlet that is properly installed and grounded.

**WARNING** - Improper use of the grounding can result in a risk of electric shock.

Consult a qualified electrician or serviceman if the grounding instructions are not completely understood, or if doubt exists as to whether the appliance is properly grounded. If it is necessary to use an extension cord, use only a 3-wire extension cord that has a 3-blade grounded plug, and 3-slot receptacle that will accept the plug on the appliance. The marked rating of the extension cord shall be equal to or greater than the electrical rating of the appliance.

**DANGER** - Electric Shock Hazard

Touching some of the internal components can cause serious personal injury or death. Do not disassemble this appliance.

**WARNING** - Electric Shock Hazard

Improper use of the grounding can result in electric shock. Do not plug into an outlet until appliance is properly installed and grounded.

1. A short power-supply cord is provided to reduce the risks resulting from becoming entangled in or tripping over a longer cord.
2. Longer cord sets or extension cords are available and may be used if care is exercised in their use.
3. If a long cord or extension cord is used:
  - 1) The marked electrical rating of the cord set or extension cord should be at least as great as the electrical rating of the appliance.
  - 2) The extension cord must be a grounding-type 3-wire cord.
  - 3) The longer cord should be arranged so that it will not drape over the counter top or tabletop where it can be pulled on by children or tripped over unintentionally.

## RADIO INTERFERENCE

1. Operation of the microwave oven may cause interference to your radio, TV or similar equipment.
2. When there is interference, it may be reduced or eliminated by taking the following measures:
  - 1) Clean door and sealing surface of the oven
  - 2) Reorient the receiving antenna of radio or television.
  - 3) Relocate the microwave oven with respect to the receiver.
  - 4) Move the microwave oven away from the receiver.
  - 5) Plug the microwave oven into a different outlet so that microwave oven and receiver are on different branch circuits.

# UTENSILS

## CAUTION - Personal Injury Hazard

Tightly-closed utensils could explode. Closed containers should be opened and plastic pouches should be pierced before cooking.

See the instructions on "Materials you can use in microwave oven or to be avoided in microwave oven."

There may be certain non-metallic utensils that are not safe to use for microwaving. If in doubt, you can test the utensil in question following the procedure below.

### Utensil Test:

1. Fill a microwave-safe container with 1 cup of cold water (250ml) along with the utensil in question.
2. Cook on maximum power for 1 minute.
3. Carefully feel the utensil. If the empty utensil is warm, do not use it for microwave cooking.
4. Do not exceed 1 minute cooking time.

# MATERIALS YOU CAN USE IN MICROWAVE OVEN

Utensils	Remarks
Browning dish	Follow manufacturer* instructions. The bottom of browning dish must be at least 3/16 inch (5mm) above the turntable. Incorrect usage may cause the turntable to break.
Dinnerware	Microwave-safe only. Follow manufacturer's instructions. Do not use cracked or chipped dishes.
Glass jars	Always remove lid. Use only to heat food until just warm. Most glass jars are not heat resistant and may break.
Glassware	Heat-resistant oven glassware only. Make sure there is no metallic trim. Do not use cracked or chipped dishes.
Oven cooking bags	Follow manufacturer* instructions. Do not close with metal tie. Make slits to allow steam to escape.
Paper plates and cups	Use for short*erm cooking/warming only. Do not leave oven unattended while cooking.
Paper towels	Use to cover food for reheating and absorbing fat. Use with supervision for a short-term cooking only.
Parchment paper	Use as a cover to prevent splattering or a wrap for steaming.

## MATERIALS YOU CAN USE IN MICROWAVE OVEN

Utensils	Remarks
Plastic	Microwave-safe only. Follow the manufacturer* instructions. Should be labeled "Microwave Safe". Some plastic containers soften, as the food inside gets hot. "Boiling bags" and tightly closed plastic bags should be slit, pierced or vented as directed by package.
Plastic wrap	Microwave-safe only. Use to cover food during cooking to retain moisture. Do not allow plastic wrap to touch food.
Thermometers	Microwave-safe only (meat and candy thermometers).
Wax paper	Use as a cover to prevent splattering and retain moisture.

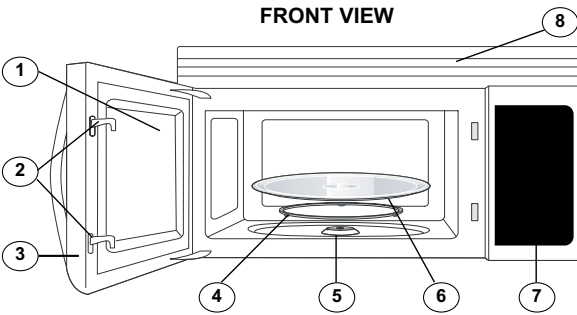
## MATERIALS TO BE AVOIDED IN MICROWAVE OVEN

Utensils	Remarks
Aluminum tray	May cause arcing. Transfer food into microwave-safe dish.
Food carton with metal handle	May cause arcing. Transfer food into microwave-safe dish.
Metal or metal-trimmed utensils	Metal shields the food from microwave energy. Metal trim may cause arcing.
Metal twist ties	May cause arcing and could cause a fire in the oven.
Paper bags	May cause a fire in the oven.
Plastic foam	Plastic foam may melt or contaminate the liquid inside when exposed to high temperature.
Wood	Wood will dry out when used in the microwave oven and may split or crack.



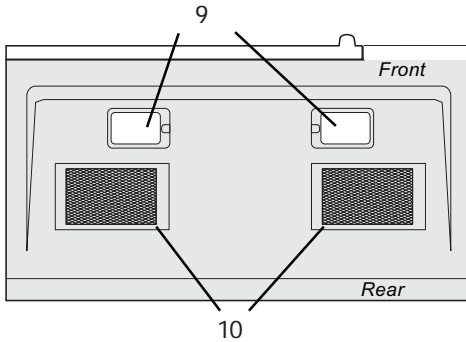
# PART NAMES

## Microwave features



- 1 Window
- 2 Interlock system
- 3 Door assembly
- 4 Turntable ring assembly
- 5 Turntable Shaft
- 6 Turntable glass tray
- 7 Control panel
- 8 Front vent grill
- 9 Surface lights
- 10 Ventilation filters

### Bottom View



# OPERATION INSTRUCTIONS

## 1. Clock Setting

- 1). Press "**CLOCK/AM/PM**", the unit enters the clock setting states. AM indicator will light. "0:00" flash to remind you to input the time.
- 2). Press "**CLOCK/AM/PM**" again to select AM or PM. The responding AM or PM indicator lights.
- 3). Press the number keys and enter the correct time. For example, time is 10:12 now, please press "1,0,1,2" in turn.
- 4). Press "**CLOCK/AM/PM**" key finish setting the clock.  
Note: This is a 12 hour clock from 1:00 to 12:59. If the time set is not appropriate, press "**CLOCK/AM/PM**" will be no used. Buzzer sounds twice and turn back to waiting states.

## 2. Microwave Cooking

- 1) Press "**TIME COOK**" to select microwave cooking. "0:00" flash to remind you to input the cooking time.
  - 2) Press the number keys to adjust the cooking time you need.  
For example, to cook the time for 10 minutes. Please press "1,0,0,0" in turn.  
The maximum cooking time is 99 minutes 99 seconds.
  - 3) At the same time, you can choose the power by pressing "**POWER**".
  - 4) Press the number keys to select the power level.
  - 5) Press "**START/PAUSE**" to start cooking. Time counts down.
- Note: 1). If the power level you choose is 100% power, steps "3" and "4" can be skipped and go directly to the step "5".
- 2). After cooking finishing, buzzer sounds five times.

Ten power levels are available.

Level	10	9	8	7	6	5	4	3	2	1
Power	100%	90%	80%	70%	60%	50%	40%	30%	20%	10%
Display	PL10	PL9	PL8	PL7	PL6	PL5	PL4	PL3	PL2	PL1

## 3. Multi-stage Cooking

At most two stages can be input.

For example: to cook the food with 100% microwave power for 10 minutes and then cook with 80% microwave power for 15 minutes. Do as following:

- 1) Press "**TIME COOK**" to choose microwave cooking;
- 2) Press "1", "0", "0", "0" to input the cooking time;
- 3) Press "**POWER**" to choose 100% microwave power;
- 4) Press "**TIME COOK**" to choose microwave cooking;

# OPERATION INSTRUCTIONS (Continued)

- 5) Press "1", "5", "0", "0" to input cooking time;
- 6) Press "**POWER**" to select the microwave power;
- 7) Press "8" to choose 80% microwave power;
- 8) Press "**START**" to start cooking.

Note:

- a. Microwave cooking can be set as two stages only. Defrost program and auto menu cannot be set here.
- b. When the first stage finish, buzzer sounds once and the second stage begins cooking.

## 4. Speedy Cooking

- 1) In waiting states, press " **ADD 30 SEC.**" to start cooking 100% microwave power for 30 seconds.
- 2) During cooking states, 30 seconds can be increased for each pressing on "**ADD 30 SEC.**". The maximum cooking time is 99 minutes and 99 seconds.
- 3) Press number keys from 1 to 6 to start cooking with full microwave power for 1-6 minutes.

Note: During speedy cooking, microwave power can be checked and selected.

Press "**POWER**", the current power displays, then press number keys to choose the power you need

## 5. Defrost Cooking

### A. Defrost By Weight

- 1) Press " **DEFROST AUTO/TIME**" once to choose defrost by weight function.  
Defrost indicator will light and "lb" indicator flash;
- 2) Press number keys from 0 to 9 to input the defrost weight.  
For example: the food weight is 1.2 Lbs, then "1", "2" will be input.  
The maximum cooking weight is 6.0 Lbs. If the weight input is more than 6.0 Lbs, the unit will turn back to waiting states.
- 3) Press "**START/PAUSE**" to start defrosting. "lb" indicator will be off.

### B. Defrost By Time

- 1) Press " **DEFROST AUTO/TIME**" twice to choose defrost by time function.  
Defrost indicator will light;
- 2) Press number keys from 0 to 9 to input the defrost time.  
The maximum time can be input is 99 minutes and 99 seconds.
- 3) Press "**START/PAUSE**" to start defrosting.

**Note:** If half the defrost time passes, the buzzer will sound once to remind you to turn the food over. In both weight/time defrost, the defrost icon is blinking on screen during the operation to indicate that defrost is being done.

# OPERATION INSTRUCTIONS (Continued)

## 6. Hood Function

- 1) When the exhaust fan is under off states, press "**VENT FAN/H/L/OFF**" once to choose the fan with high speed;
- 2) Press "**VENT FAN/H/L/OFF**" twice to choose the fan with low speed;
- 3) Press "**VENT FAN/H/L/OFF**" three times to choose the fan to be off.
- 4) Except lock states, the fan can be adjusted anytime.

## 7. Oven Lamp

- 1) Press "**SURFACE LIGHT ON/OFF**" once to turn on the lamp;
- 2) Press "**SURFACE LIGHT ON/OFF**" twice to turn off the lamp.

## 8. Timer Function

- 1) Press "**TIMER**", timer indicator will light;
- 2) Press number keys to input the cooking time you need.  
The maximum cooking time is 99 minutes and 99 seconds.
- 3) Press "**TIMER**", time counts down. When time counting down is over, buzzer sounds to indicates off.
- 4) Press "**TIMER**", the timer function or the buzzer sound will stop.

Note: During timer states, hood and oven lamp can be activated. Others function will be no used.

## 9. Display On/Off Function

- 1) In wating states,press "**0**" for 3 seconds,buzzer sounds twice. And the display would be off.
- 2) Under the mode of display off, press any key, buzzer sound once, the microwave oven is back to waiting mode.

## 10.Auto Menu

- a) Press "**POPCORN**", "**BAKED PATATO**", "**BEVERAGE**" or "**REHEAT**" repeatedly until the number you wish appears in the display.
- b) Press "**START/PAUSE**" to cook.

# OPERATION INSTRUCTIONS (Continued)

## The menu chart:

Menu	Weight	Power
Popcorn	1.75 Oz	P100
	3.0 Oz	P100
	3.5 Oz	P100
Baked potato	1	P100
	2	P100
	3	P100
Beverage	1	P100
	2	P100
	3	P100
Reheat	8.0 Oz	P100
	16.0 Oz	P100
	24.0 Oz	P100

## 11. Inquiring Function

- (1) Under microwave cooking states, press "**POWER**" to check the power level.
- (2) During cooking states, press "**CLOCK/AM/PM**" to check the clock.

## 12. Lock Function For Children

Lock: In waiting state, press "**STOP/CLEAR**" for 3 seconds, there will be two beeps denoting the entering into the children-lock state;

Lock quitting: In locked state, press "**STOP/CLEAR**" for 3 seconds, there will be two beeps denoting that lock is released.

# MAINTENANCE

## Troubleshooting

Check your problem by using the chart below and try the solutions for each problem. If the microwave oven still does not work properly, contact the nearest authorized service center.

TROUBLE	POSSIBLE CAUSE	POSSIBLE REMEDY
Oven will not start	<ul style="list-style-type: none"> <li>a. Electrical cord for oven is not plugged in.</li> <li>b. Door is open.</li> <li>c. Wrong operation is set.</li> </ul>	<ul style="list-style-type: none"> <li>a. Plug into the outlet.</li> <li>b. Close the door and try again.</li> <li>c. Check instructions.</li> </ul>
Arcing or sparking	<ul style="list-style-type: none"> <li>a. Materials to be avoided in microwave oven were used.</li> <li>b. The oven is operated when empty.</li> <li>c. Spilled food remains in the cavity.</li> </ul>	<ul style="list-style-type: none"> <li>a. Use microwave-safe cookware only.</li> <li>b. Do not operate with oven empty.</li> <li>c. Clean cavity with wet towel.</li> </ul>
Unevenly cooked foods	<ul style="list-style-type: none"> <li>a. Materials to be avoided in microwave oven were used.</li> <li>b. Food is not defrosted completely.</li> <li>c. Cooking time, power level is not suitable.</li> <li>d. Food is not turned or stirred.</li> </ul>	<ul style="list-style-type: none"> <li>a. Use microwave-safe cookware only.</li> <li>b. Completely defrost food.</li> <li>c. Use correct cooking time, power level.</li> <li>d. Turn or stir food.</li> </ul>
Overcooked foods	Cooking time, power level is not suitable.	Use correct cooking time, power level.
Undercooked foods	<ul style="list-style-type: none"> <li>a. Materials to be avoided in microwave oven were used.</li> <li>b. Food is not defrosted completely.</li> <li>c. Oven ventilation ports are restricted.</li> <li>d. Cooking time, power level is not suitable.</li> </ul>	<ul style="list-style-type: none"> <li>a. Use microwave-safe cookware only.</li> <li>b. Completely defrost food.</li> <li>c. Check to see that oven ventilation ports are not restricted.</li> <li>d. Use correct cooking time, power level.</li> </ul>
Improper defrosting	<ul style="list-style-type: none"> <li>a. Materials to be avoided in microwave oven were used.</li> <li>b. Cooking time, power level is not suitable.</li> <li>c. Food is not turned or stirred.</li> </ul>	<ul style="list-style-type: none"> <li>a. Use microwave-safe cookware only.</li> <li>b. Use correct cooking time, power level.</li> <li>c. Turn or stir food.</li> </ul>

# CLEANING AND CARE

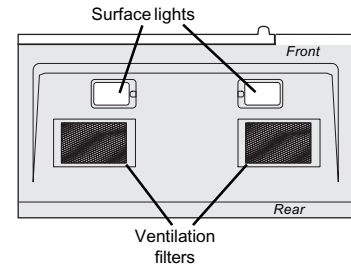
Disconnect the power cord before cleaning or leave the door open to deactivate the oven during cleaning.

## Cleaning the exhaust filters

The oven ventilation exhaust filters should be removed and cleaned often; generally at least once every month.

### ⚠ CAUTION

To avoid risk of personal injury or property damage, do not operate oven hood without filters properly in place.



1. To remove the exhaust ventilation filters, slide the filter to the rear. Then pull filter downward and push to the other side. The filter will drop out. Repeat for the 2nd filter.



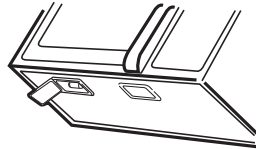
2. To reinstall the exhaust ventilation filter, slide it into the side slot, then push up and toward oven to lock. Reinstall the 2nd filter using the same procedure.

## Surface light replacement

### ⚠ CAUTION

To avoid risk of personal injury or property damage, wear gloves when replacing the light bulbs.

1. Unplug the microwave oven or turn off power at the main circuit breaker.
2. Remove the bulb cover mounting screws at both light positions under the microwave.



3. Replace bulb with 30 watt appliance bulb.
4. Re-install bulb cover and mounting screw.
5. Plug the microwave back into the power supply or turn the power back on at the main circuit breaker.

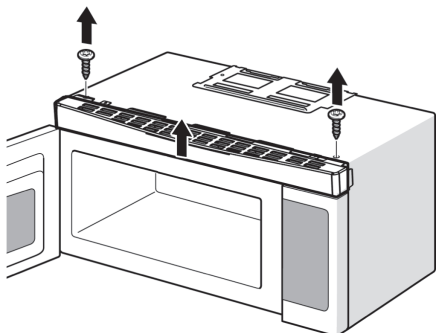
# CLEANING AND CARE

Disconnect the power cord before cleaning or leave the door open to deactivate the oven during cleaning.

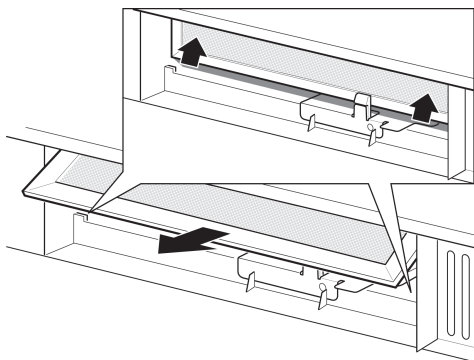
## Charcoal filter replacement

Charcoal Filter installed in your microwave oven, is used for nonvented, recirculated installation. The filter should be changed every 6 to 12 months depending on use.

1. Disconnect power to the microwave oven at the circuit breaker panel or by unplugging.
2. Remove the vent grill mounting screws.
3. Pull the vent grill away from the unit.



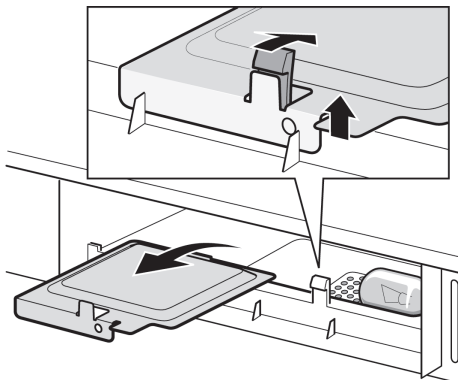
4. Remove the charcoal filter by pushing it inwards, then turn and pull it away from the unit.



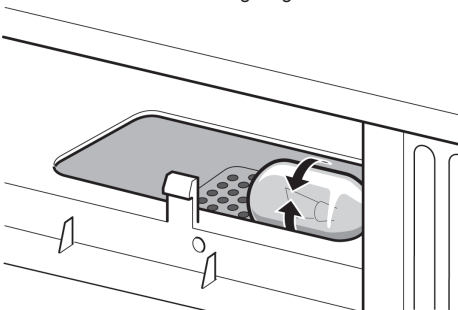
## Oven light replacement

Remove the vent grill per instructions 1-4 above and charcoal filter, if used.

1. Open light cover located behind filter mounting by carefully pulling up on the front edge.



2. Remove old light bulb and replace only with equivalent 30 watt bulb available from parts distributor. Bulbs are also available at most hardware stores or lighting centers.



**Note: DO NOT USE BULB LARGER THAN 30 WATTS.**

3. Replace the microwave oven light cover by carefully pushing into place. Replace the charcoal filter. Push the vent grill back into place (engaging both the bottom and top tabs) and replace the vent grill mounting screws.



# CLEANING AND CARE

Disconnect the power cord before cleaning or  
leave the door open to deactivate the oven during cleaning.

## Cleaning suggestions

For best performance and for safety reasons, keep the oven clean inside and outside. Take special care to keep the inner door panel and oven front frame free of food and grease build-up.

**Never use rough scouring powder or pads** on the microwave. Wipe the microwave oven inside and out with a soft cloth and a warm (not hot) mild detergent solution. Then rinse and wipe completely dry.

Wipe spatters immediately with a wet paper towel, especially after cooking greasy foods like chicken or bacon.

Clean your microwave oven weekly or more often, if needed.

### Follow these instructions to clean and care for your microwave oven:

- Keep the inside (cavity) of the oven clean. Food particles and spilled liquids can stick to the oven walls, causing the oven to work less efficiently.
- Wipe up spills immediately. Use a damp, clean cloth and mild soap. **DO NOT** use harsh detergents or abrasive cleaners.
- To help loosen baked-on food particles or liquids, heat 2 cups of water (add the juice of 1 lemon if you desire to keep the oven fresh smelling) in a 4 cup measuring glass at High power for 5 minutes or until boiling. Let stand in oven cavity for 1 or 2 minutes.
- Remove the glass turntable tray from the oven when cleaning the oven cavity or tray. To prevent the glass turntable from breaking, handle with care and do not put it in water immediately after cooking. Wash the turntable tray in warm sudsy water or in the dishwasher.
- Clean the outside surface of the microwave with soap and a clean damp cloth. Dry with a clean soft cloth. To prevent damage to the operating parts of the oven, do not let water seep into any vents or openings.

- Wash the oven door window with very mild soap and water. Be sure to use a soft clean cloth to avoid scratching.
- If steam accumulates inside or outside the oven door, wipe with a soft cloth. Steam can accumulate when operating the oven in high humidity and in no way indicates microwave leakage.
- Never operate the oven without food in the oven cavity; this can damage the magnetron tube or glass tray. You may wish to leave a cup of water standing inside the oven when it is not in use to prevent damage if the oven is accidentally turned on.

# ONE YEAR LIMITED WARRANTY

This product carries a warranty stating that it will be free from defects in material and workmanship for a period of one year from the date of purchase. This warranty is valid for the original retail purchaser from the date of initial retail purchase and is not transferable. Keep your original sales receipt.

## IMPORTANT:

1. This warranty does not cover damages resulting from accident, misuse or abuse, lack of reasonable care, the affixing of any attachments not provided with the product, loss of parts, or subjecting the appliance to any but the specified voltage. ( Read directions carefully. )
2. This warranty is void if this product is ever used for other than private household purposes.
3. This warranty is void if this product is ever used outside of United States.

If service is required during the warranty period, properly pack your unit. We recommend using the original carton and packing materials.

If additional assistance is needed, please contact customer assistance at:

800-842-1289

Midea America Corp

5 Sylvan Way,

Parsippany, NJ 07054

**Midea America Corp.** expressly disclaims all responsibility for consequential damages or incidental losses caused by use of the appliance. Some states do not allow this exclusion or limitation of incidental or consequential losses so the foregoing disclaimer may not apply to you. This warranty gives you specific legal rights, and you may also have other rights which may vary from state to state.

The serial number can be found on the back cabinet. We suggest that you record the serial number of your unit in the space below for future reference

Model Number: \_\_\_\_\_

Serial Number: \_\_\_\_\_

## SAVE THIS FOR YOUR RECORDS

Made in China

## **Criterion™ Washer Warranty**

Your product is protected by this warranty:

Warranty service must be obtained from Midea Consumer Services or an authorized Midea servicer.

### Warranty

- One year full warranty from original purchase date, includes compressor, parts and labor only.

Midea, through its authorized servicers will:

- Pay all costs for repairing or replacing parts of this appliance which prove to be defective in materials or workmanship.

Midea is not responsible for:

- Diagnostics, removal, transportation and reinstallation cost required because of service.
- Costs of service calls that are a result of items listed under **NORMAL RESPONSIBILITIES OF THE CONSUMER\*\***

**Midea replacement parts shall be used and will be warranted only for the period remaining on the original warranty.**

### **NORMAL RESPONSIBILITIES OF THE CONSUMER\*\***

**This warranty applies only to products in ordinary household use, and the consumer is responsible for the items listed below:**

1. Proper use of the appliance in accordance with instructions provided with the product.
2. Routine maintenance and cleaning necessary to keep the good working condition.
3. Proper installation by an authorized service professional in accordance with instructions provided with the appliance and in accordance with all local plumbing, electrical and / or gas codes.
4. Proper connection to a grounded power supply of sufficient voltage, replacement of blown fuses, repair of loosened connections or defects in house wiring.
5. Expenses for making the appliance accessible for servicing.
6. Damages to finish after installation.

### **EXCLUSIONS**

**This warranty does not cover the following:**

1. Failure caused by damage to the unit while in your possession (other than damage caused by defect or malfunction), by its improper installation, or by unreasonable use of the product, including without limitation, failure to provide reasonable and necessary maintenance or to follow the written Installation and Operating Instructions.
2. Products purchased "as-is" or refurbished are not covered by this warranty.
3. Service calls to repair or replace consumables such as handles, knobs and other cosmetic parts.
4. Product that has been transferred from its original owner.
5. Interior or exterior rust on the unit.
6. Damages caused by services performed by persons other than authorized Midea servicers; use of parts other than Midea replacement parts; obtained from persons other than such Midea customer service; or external causes such as abuse, misuse, inadequate power supply or acts of God.
7. Service calls resulting from improper installation of your product.
8. Service calls to instruct you on the use of your product.
9. Surcharges including, but not limited to, any after hour, weekend, or holiday service calls, tolls, ferry trip charges, or mileage expense for service calls to remote areas, including the state of Alaska.
10. If the unit is put to commercial, business, rental, or other use or application other than for consumer use, we make no warranties, express or implied, including but not limited to, any implied warranty of merchantability or fitness for particular use or purpose.
11. Product that has been removed outside the USA or Canada.
12. Products without original serial numbers or products that have serial numbers which have been altered or cannot be readily determined.

Note: Some states do not allow the exclusion or limitation of incidental or consequential damages. So this limitation or exclusion may not apply to you.

### **IF YOU NEED SERVICE**

Keep your bill of sale, delivery slip, and other appropriate payment record.

The date on the bill established the warranty period should service be required.

If service is performed, it is your best interest to obtain and keep all receipts.

This written warranty gives you specific legal rights. You may also have other rights that vary from state to state.

Service under this warranty must be obtained by following these steps, in order:

1. Contact Midea Consumer Services or an authorized Midea servicer at 1-866-646-4332 or [customerserviceusa@midea.com](mailto:customerserviceusa@midea.com)
2. If there is a question as to where to obtain service, contact our consumer relations Department.

# Criterion™

## Tarjeta de Registracion de producto

Es sencillo! Cumple y envia su Tarjeta de Registracion de Producto hoy!

Nombre

Dirección

Ciudad  Estado  Código postal

Teléfono (Opcional)  /  -

Dirección de E-mail (Opcional)

Donde Comprado

Numero de Modelo

2202504418

Numero de Serie

REV 11/04

Mes Dia Año

Fecha de la compra

**Porfavor devuelve su Tarjeta de Registracion de Producto hoy!**

# Criterion™

## Product Registration Card

It's simple! Complete and mail your Product Registration Card today!

Name

Address

City  State  Zip

Phone (Optional)  /  -

E-mail Address (Optional)

Where Purchased

Model Number

2202504418

Serial Number

REV 11/04

Month Day Year

Date of Purchase

**Please return your Product Registration Card today!**

1-866-646-4332

Su producto está protegido por esta garantía:  
repositos establecida en esta garantía deberá ser cumplida por los Servicios al consumidor de Midea o por un representante autorizado de Midea.  
Para comunicarse con un Representante de Servicio al Cliente, tenga la bondad de llamar por telefono sin cargo alguno a Midea, al número:

Garantía

1-866-646-4332

Your product is protected by this warranty:  
Your appliance is warranted by Midea. Any obligations for services and parts under this warranty must be performed by Midea Consumer Services or an authorized Midea service  
To contact a Customer Service Representative, Call Midea TOLL FREE

Product Warranty

Product Warranty Card  
Tarjeta de Garantía de Producto



Criterion™

\_\_\_\_\_  
\_\_\_\_\_  
\_\_\_\_\_



Postage  
Required.  
Post Office will  
not deliver  
without proper  
postage.

PLACE  
STAMP  
HERE

Criterion™



Product Support  
Midea America Corp.  
759 Bloomfield Ave., #386  
West Caldwell, NJ 07006-6701





