

Criterion™

User's Manual

Microwave Oven

MODEL: CCM11M1W

Before using your product, please read this manual carefully and keep it for future reference.



Contents

PRECAUTIONS TO AVOID POSSIBLE EXPOSURE TO EXCESSIVE MICROWAVE ENERGY.....	3
SPECIFICATIONS.....	3
IMPORTANT SAFETY INSTRUCTIONS.....	4
GROUNDING INSTRUCTIONS.....	5
UTENSILS.....	6
MATERIALS YOU CAN USE IN MICROWAVE OVEN.....	7
MATERIALS TO BE AVOIDED IN MICROWAVE OVEN.....	7
SETTING UP YOUR OVEN.....	8
OPERATION.....	10
MAINTENANCE.....	16
WARRANTY.....	17

PRECAUTIONS TO AVOID POSSIBLE EXPOSURE TO EXCESSIVE MICROWAVE ENERGY

- (a) Do not attempt to operate this oven with the door open since open door operation can result in harmful exposure to microwave energy.
It is important not to defeat or tamper with the safety interlocks.
- (b) Do not place any object between the oven front face and the door or allows soil or cleaner residue to accumulate on sealing surfaces.
- (c) Do not operate the oven if it is damaged. It is particularly important that the oven door close properly and that there is no damage to the:
 - (1) DOOR (bent)
 - (2) HINGES AND LATCHES (broken or loosened)
 - (3) DOOR SEALS AND SEALING SURFACES
- (d) The oven should not be adjusted or repaired by anyone except properly qualified service personnel.

Specifications

Model:	CCM11M1W
Rated Voltage:	120V~60Hz
Rated Input Power(Microwave):	1500W
Rated Output Power(Microwave):	1000W
Oven Capacity:	1.1 Cu.ft
Turntable Diameter:	Ø 12.4 inches
External Dimensions:	20.19(W)x16.38(D)x12.09(H) inches
Net Weight:	Approx. 26.74 LBbs

IMPORTANT SAFETY INSTRUCTIONS

When using electrical appliances basic safety precautions should be followed, including the following:

WARNING - To reduce the risk of burns, electric shock, fire, injury to persons or exposure to excessive microwave energy:

1. Read all instructions before using the appliance.
2. Read and follow the specific: "PRECAUTIONS TO AVOID POSSIBLE EXPOSURE TO EXCESSIVE MICROWAVE ENERGY" found on page 2.
3. This appliance must be grounded. Connect only to properly grounded outlet. See "GROUNDING INSTRUCTIONS" found on page 4.
4. Install or locate this appliance only in accordance with the provided installation instructions.
5. Some products such as whole eggs and sealed containers - for example, closed glass jars - are able to explode and should not be heated in this oven.
6. Use this appliance only for its intended use as described in the manual. Do not use corrosive chemicals or vapors in this appliance. This type of oven is specifically designed to heat, cook or dry food. It is not designed for industrial or laboratory use.
7. As with any appliance, close supervision is necessary when used by children.
8. Do not operate this appliance if it has a damaged cord or plug, if it is not working properly, or if it has been damaged or dropped.
9. This appliance should be serviced only by qualified service personnel. Contact nearest authorized service facility for examination, repair, or adjustment.
10. Do not cover or block any openings on the appliance.
11. Do not store this appliance outdoors. Do not use this product near water - for example, near a kitchen sink, in a wet basement, near a swimming pool, or similar location.
12. Do not immerse cord or plug in water.
13. Keep cord away from heated surface.
14. Do not let cord hang over edge of table or counter.
15. When cleaning surfaces of door and oven that comes together on closing the door, use only mild, nonabrasive soaps, or detergent applied with a sponge or soft cloth.
16. To reduce the risk of fire in the oven cavity:
 - 1). Do not overcook food. Carefully attend appliance when paper, plastic, or other combustible materials are placed inside the oven to facilitate cooking.
 - 2). Remove wire twist-ties from paper or plastic bag before placing bag in oven.
 - 3). If material inside of the oven ignite, keep oven door closed, turn oven off, and disconnect the power cord, or shut off power at the fuse or circuit breaker panel.
 - 4). Do not use the cavity for storage purposes. Do not leave paper products, cooking utensils, or food in the cavity when not in use.
17. Liquids, such as water, coffee, or tea are able to be overheated beyond the boiling point without appearing to be boiling. Visible bubbling or boiling when the container is removed from the microwave oven is not always present.

THIS COULD RESULT IN VERY HOT LIQUID SUDDENLY BOILING OVER WHEN THE CONTAINER IS DISTURBED OR A UTENSIL IS INSERTED INTO THE LIQUID.

To reduce the risk of injury to persons:

- 1) Do not overheat the liquid.
- 2) Stir the liquid both before and halfway through heating it.
- 3) Do not use straight-sided containers with narrow necks.
- 4) After heating, allow the container to stand in the microwave oven for a short time before removing the container.
- 5) Use extreme care when inserting a spoon or other utensil into the container.

SAVE THESE INSTRUCTIONS

GROUNDING INSTRUCTIONS

This appliance must be grounded. In the event of an electrical short circuit, grounding reduces the risk of electric shock by providing an escape wire for the electric current. This appliance is equipped with a cord having a grounding wire with a grounding plug. The plug must be plugged into an outlet that is properly installed and grounded.

WARNING - Improper use of the grounding can result in a risk of electric shock.

Consult a qualified electrician or serviceman if the grounding instructions are not completely understood, or if doubt exists as to whether the appliance is properly grounded. If it is necessary to use an extension cord, use only a 3-wire extension cord that has a 3-blade grounded plug, and 3-slot receptacle that will accept the plug on the appliance. The marked rating of the extension cord shall be equal to or greater than the electrical rating of the appliance.

DANGER - Electric Shock Hazard

Touching some of the internal components can cause serious personal injury or death. Do not disassemble this appliance.

WARNING - Electric Shock Hazard

Improper use of the grounding can result in electric shock. Do not plug into an outlet until appliance is properly installed and grounded.

1. A short power-supply cord is provided to reduce the risks resulting from becoming entangled in or tripping over a longer cord.
2. Longer cord sets or extension cords are available and may be used if care is exercised in their use.
3. If a long cord or extension cord is used:
 - 1) The marked electrical rating of the cord set or extension cord should be at least as great as the electrical rating of the appliance.
 - 2) The extension cord must be a grounding-type 3-wire cord.
 - 3) The longer cord should be arranged so that it will not drape over the counter top or tabletop where it can be pulled on by children or tripped over unintentionally.

RADIO INTERFERENCE

1. Operation of the microwave oven may cause interference to your radio, TV or similar equipment.
2. When there is interference, it may be reduced or eliminated by taking the following measures:
 - 1) Clean door and sealing surface of the oven
 - 2) Reorient the receiving antenna of radio or television.
 - 3) Relocate the microwave oven with respect to the receiver.
 - 4) Move the microwave oven away from the receiver.
 - 5) Plug the microwave oven into a different outlet so that microwave oven and receiver are on different branch circuits.

UTENSILS

CAUTION - Personal Injury Hazard

Tightly-closed utensils could explode. Closed containers should be opened and plastic pouches should be pierced before cooking.

See the instructions on "Materials you can use in microwave oven or to be avoided in microwave oven."

There may be certain non-metallic utensils that are not safe to use for microwaving. If in doubt, you can test the utensil in question following the procedure below.

Utensil Test:

1. Fill a microwave-safe container with 1 cup of cold water (8.45 Oz) along with the utensil in question.
2. Cook on maximum power for 1 minute.
3. Carefully feel the utensil. If the empty utensil is warm, do not use it for microwave cooking.
4. Do not exceed 1 minute cooking time.

Materials you can use in microwave oven

Utensils	Remarks
Browning dish	Follow manufacturer* instructions. The bottom of browning dish must be at least 3/16 inch (5mm) above the turntable. Incorrect usage may cause the turntable to break.
Dinnerware	Microwave-safe only. Follow manufacturer's instructions. Do not use cracked or chipped dishes.
Glass jars	Always remove lid. Use only to heat food until just warm. Most glass jars are not heat resistant and may break.
Glassware	Heat-resistant oven glassware only. Make sure there is no metallic trim. Do not use cracked or chipped dishes.
Oven cooking bags	Follow manufacturer* instructions. Do not close with metal tie. Make slits to allow steam to escape.
Paper plates and cups	Use for short*erm cooking/warming only. Do not leave oven unattended while cooking.
Paper towels	Use to cover food for reheating and absorbing fat. Use with supervision for a short-term cooking only.
Parchment paper	Use as a cover to prevent splattering or a wrap for steaming.
Plastic	Microwave-safe only. Follow the manufacturer* instructions. Should be labeled "Microwave Safe". Some plastic containers soften, as the food inside gets hot. "Boiling bags" and tightly closed plastic bags should be slit, pierced or vented as directed by package.
Plastic wrap	Microwave-safe only. Use to cover food during cooking to retain moisture. Do not allow plastic wrap to touch food.
Thermometers	Microwave-safe only (meat and candy thermometers).
Wax paper	Use as a cover to prevent splattering and retain moisture.

Materials to be avoided in microwave oven

Utensils	Remarks
Aluminum tray	May cause arcing. Transfer food into microwave-safe dish.
Food carton with metal handle	May cause arcing. Transfer food into microwave-safe dish.
Metal or metal-trimmed utensils	Metal shields the food from microwave energy. Metal trim may cause arcing.
Metal twist ties	May cause arcing and could cause a fire in the oven.
Paper bags	May cause a fire in the oven.
Plastic foam	Plastic foam may melt or contaminate the liquid inside when exposed to high temperature.
Wood	Wood will dry out when used in the microwave oven and may split or crack.

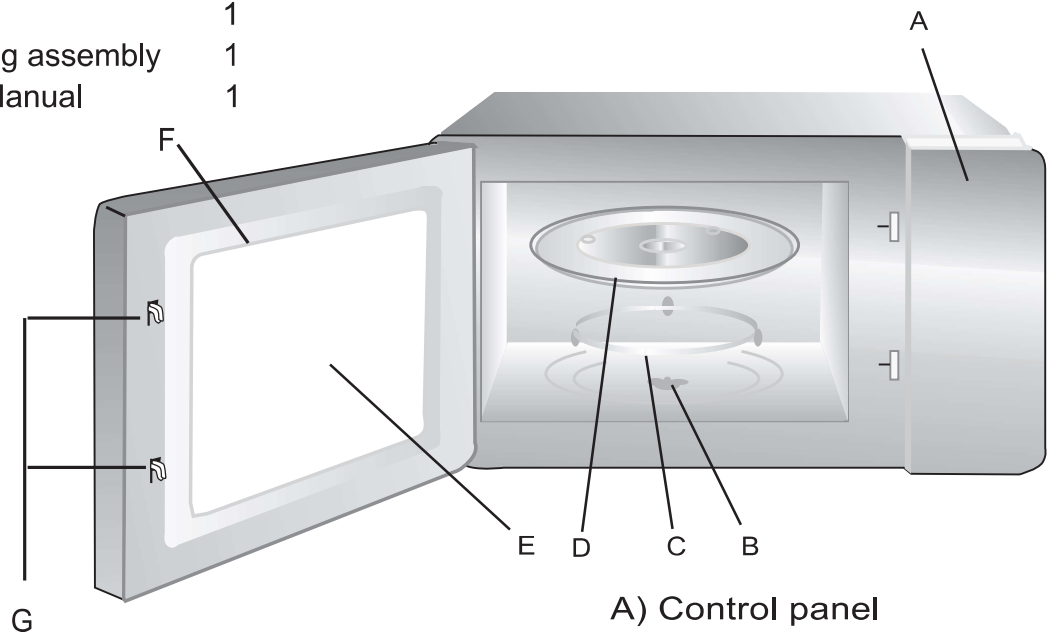
SETTING UP YOUR OVEN

Names of Oven Parts and Accessories

Remove the oven and all materials from the carton and oven cavity.

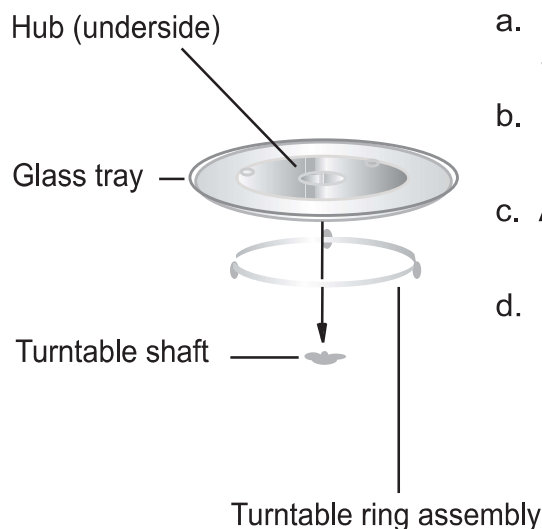
Your oven comes with the following accessories:

Glass tray	1
Turntable ring assembly	1
Instruction Manual	1



- A) Control panel
- B) Turntable shaft
- C) Turntable ring assembly
- D) Glass tray
- E) Observation window
- F) Door assembly
- G) Safety interlock system

Turntable Installation



- a. Never place the glass tray upside down. The glass tray should never be restricted.
- b. Both glass tray and turntable ring assembly must always be used during cooking.
- c. All food and containers of food are always placed on the glass tray for cooking.
- d. If glass tray or turntable ring assembly cracks or breaks, contact your nearest authorized service center.

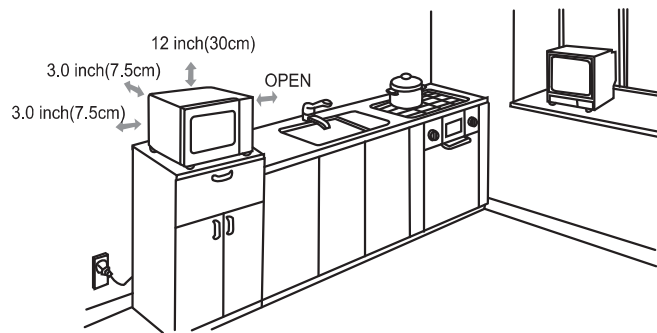
Countertop Installation

Remove all packing material and accessories. Examine the oven for any damage such as dents or broken door. Do not install if oven is damaged.

Cabinet: Remove any protective film found on the microwave oven cabinet surface. Do not remove the light brown Mica cover that is attached to the oven cavity to protect the magnetron.

Installation

1. Select a level surface that provide enough open space for the intake and/or outlet vents.



A minimum clearance of 3.0 inches (7.5cm) is required between the oven and any adjacent walls. One side must be open.

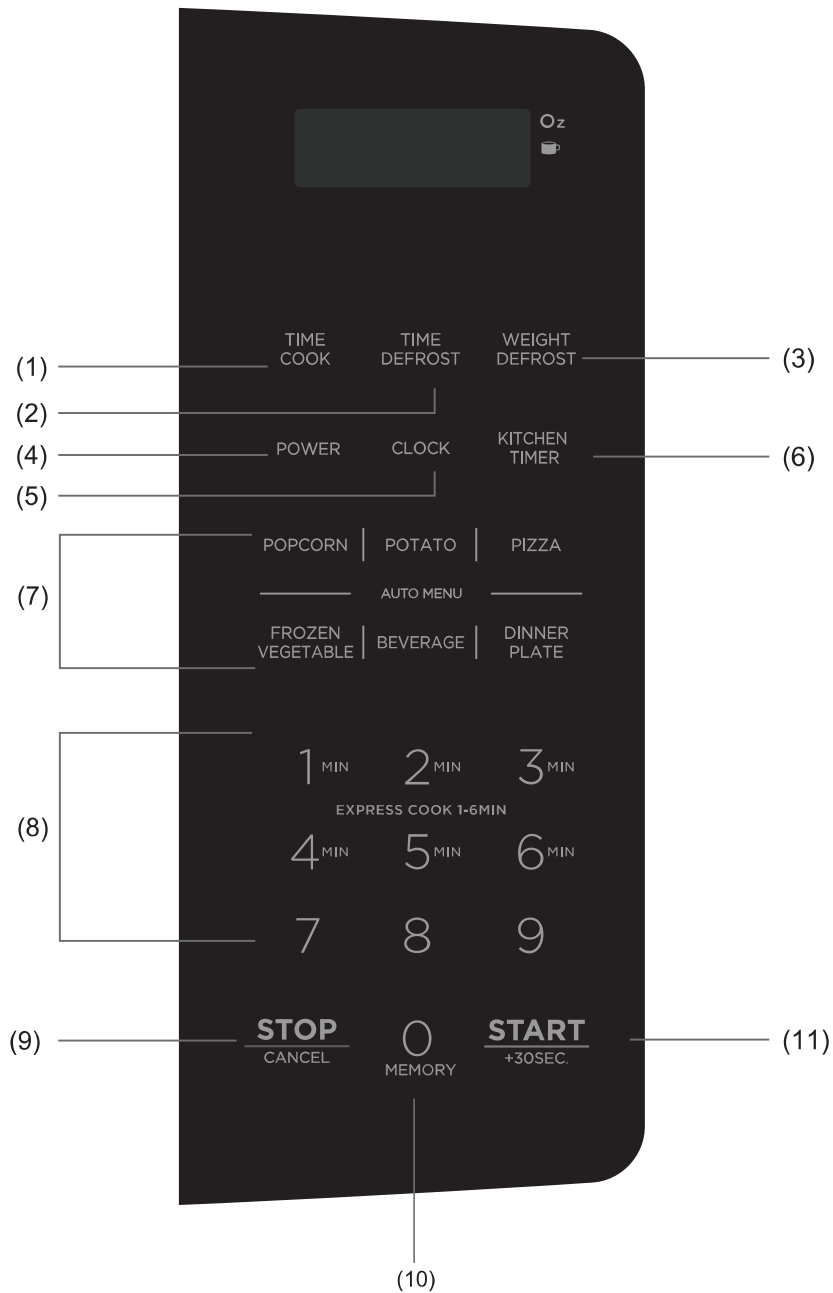
- (1) Leave a minimum clearance of 12 inches (30cm) above the oven.
- (2) Do not remove the legs from the bottom of the oven.

- (3) Blocking the intake and/or outlet openings can damage the oven.
 - (4) Place the oven as far away from radios and TV as possible. Operation of microwave oven may cause interference to your radio or TV reception.
2. Plug your oven into a standard household outlet. Be sure the voltage and the frequency is the same as the voltage and the frequency on the rating label.

WARNING: Do not install oven over a range cooktop or other heat-producing appliance. If installed near or over a heat source, the oven could be damaged and the warranty would be void.

OPERATION

Control Panel and Features



- (1) TIME COOK
- (2) TIME DEFROST
- (3) WEIGHT DEFROST
- (4) POWER
- (5) CLOCK
- (6) KITCHEN TIMER
- (7) AUTO MENU
- (8) NUMBER KEYS
- (9) STOP/CANCEL
- (10) MEMORY
- (11) START/+30SEC.

1. Power Level

11 power levels are available.

Level	10	9	8	7	6	5	4	3	2	1	0
Power	100%	90%	80%	70%	60%	50%	40%	30%	20%	10%	0%
Display	PL10	PL9	PL8	PL7	PL6	PL5	PL4	PL3	PL2	PL1	PL0

2. CLOCK SETTING

- (1) Press "**CLOCK**" once, "00:00" will display.
- (2) Press the number keys and enter the current time. For example, time is 12:10 now, please press "1, 2, 1, 0" on the key pad.
- (3) Press "**CLOCK**" to finish clock setting. ":" will flash and the clock will light up.
- (4) If the numbers entered are not within the range of 1:00--12:59, the setting will be invalid until valid numbers are input.

Note:

- (1) In the process of clock setting, if the "**STOP/CANCEL**" button is pressed or if there is no operation within 1 minute, the microwave oven will go back to the previous setting automatically.
- (2) If the clock needs to be reset, please repeat step 1 to step 3.

3. KITCHEN TIMER

- (1) Press "**KITCHEN TIMER**" once, the screen will display 00:00.
- (2) Press the number keys and enter the desired time. (The maximum cooking time is 99 minutes and 99 seconds.)
- (3) Press "**START/+30SEC.**" to confirm setting.
- (4) When the desired time reaches the end, the buzzer will beep 5 times.
If the clock has been set (12-hour cycle), the screen will display the previously set clock time.

Note: 1) The kitchen timer is not the same as clock.

2) Other functions will not be available to use at the same time with this mode.

4. MICROWAVE COOK

- (1) Press "**TIME COOK**" once, the screen will display "00:00".
- (2) Press number keys to enter the cooking time; the maximum cooking time is 99 minutes and 99 seconds.
- (3) Press "**POWER**" once, the screen will display "PL10". The default power level is 100%.
Now you can press number keys to adjust the power level.
- (4) Press "**START/+30SEC.**" to start cooking.

For Example: to cook the food with 50% microwave power for 15 minutes.

- a. Press "**TIME COOK**" once. "00:00" displays.
- b. Press "1", "5", "0", "0" in order.
- c. Press "**POWER**" once, then press "5" to select 50% microwave power.
- d. Press "**START/+30SEC.**" to start cooking.

Note:

- (1) In the process of setting, if the "**STOP/CANCEL**" button is pressed or if there is no operation within 1 minute, the microwave oven will go back to the former setting automatically.
- (2) If "PL 0" selected, the oven will work with fan but no power. You can use this level to eliminate odor from microwave oven's cavity.
- (3) During microwave cooking, "**POWER**" can be pressed to change the power level to the one you need.

After pressing "**POWER**", the current power will flash for 3 seconds, then you can press number keys to change the power level. The microwave oven will work with the selected power level for the rest of the set cooking time.

5. SPEEDY COOKING

- (1) In a waiting state, press a number key between 1 and 6 for instant cooking at 100% microwave power level.
- (2) Press "**START/+30SEC.**" to add cooking time for additional 30 seconds. The maximum cooking time is 99 minutes and 99 seconds.

6. WEIGHT DEFROST FUNCTION

- (1) Press "**WEIGHT DEFROST**" once, the screen will display "dEF1".
- (2) Press number keys buttons to enter weight to be defrosted.
Input the weight ranged between 4~100 Oz.
- (3) If the weight entered is not within 4~100 Oz, the entry will be invalid.
The weight defrost function will not start until valid weight is entered.
- (4) Press "**START/+30SEC.**" to start defrosting and the remaining cooking time will be displayed.

7. TIME DEFROST FUNCTION

- (1) Press "**TIME DEFROST**" once, the screen will display "dEF2".
- (2) Press number key pads to enter defrosting time. The effective time range is 0:01~99:99 minutes.
- (3) The default microwave power level is 3 or 30%. If you want to change the power level, press "**POWER**" once, and the screen will display "PL 3", then press the number key pad of the power level you desire.
- (4) Press "**START/+30SEC.**" to start defrosting. The remaining cooking time will be displayed.

8. POPCORN

- a) Press "**POPCORN**" repeatedly until the weight you desire appears on the display, "1.75", "3.0", "3.5" Oz will be the three options displayed in this order.
For example, press "**POPCORN**" once, "1.75" will appear.
- b) Press "**START/+30 SEC.**" to start cooking. The buzzer will beep once. When it reaches the end of the cooking time, the buzzer will beep 5 times to remind you and then go back to standby mode.

9. POTATO

- a) Press "**POTATO**" repeatedly until the number you desire appears on the display, "1", "2", "3" will be the three options displayed in this order.
"1" SET : 1 potato (about 8 Oz)
"2" SETS: 2 potatoes (about 16 Oz)
"3" SETS: 3 potatoes (about 24 Oz)
For example, press "**POTATO**" once, "1" appears.
- b) Press "**START/+30 SEC.**" to start cooking. The buzzer will beep once. When it reaches the end of the cooking time, the buzzer will beep 5 times to remind you and then go back to standby mode.

10. FROZEN VEGETABLE

- a) Press "**FROZEN VEGETABLE**" repeatedly until the weight you desire appears on the display, "4.0", "8.0", "16.0" Oz will be the three options displayed in this order.
For example, press "**FROZEN VEGETABLE**" once, "4.0" will appear.
- b) Press "**START/+30 SEC.**" to start cooking. The buzzer will beep once. When it reaches the end of the cooking time, the buzzer will beep 5 times to remind you and then go back to standby mode.

11. BEVERAGE

- a) Press "**BEVERAGE**" repeatedly until the number you desire appears on the display, "1", "2", "3" cups will be the three options displayed in this order. One cup is about 4.0 Oz. For example, press "**BEVERAGE**" once, "1" appears.
- b) Press "**START/+30 SEC.**" to start cooking. The buzzer will beep once. When it reaches the end of the cooking time, the buzzer will beep 5 times to remind you and then go back to standby mode.

12. DINNER PLATE

- a) Press "**DINNER PLATE**" repeatedly until the weight you desire appears in the display, "9.0", "12.0", "18.0" Oz will be the three options displayed in this order. For example, press "**DINNER PLATE**" once, "9.0" appears.
- b) Press "**START/+30 SEC.**" to start cooking. The buzzer will beep once. When it reaches the end of the cooking time, the buzzer will beep 5 times to remind you and then go back to standby mode.

13. PIZZA

- a) Press "**PIZZA**" repeatedly until the weight you desire appears on the display, "4.0", "8.0", "14.0" Oz will be the three options displayed in this order. For example, press "**PIZZA**" once, "4.0" appears.
- b) Press "**START/+30 SEC.**" to start cooking. The buzzer will beep once. When it reaches the end of the cooking time, the buzzer will beep 5 times to remind you and then go back to standby mode.

14. MEMORY FUNCTION

- (1) Press "**0/MEMORY**" to choose memory 1-3 function. The screen will display 1, 2, 3.
- (2) If the function has been set, press "**START/ +30 SEC.**" to start cooking. If not, continue to set the function. Only one or two stages can be set.
- (3) After finishing the setup, press "**START/ +30 SEC.**" once to save the procedure. If "**START/ +30 SEC.**" is pressed again, it will start cooking.
For example: To set the following function as the second memory, that is memory 2. To cook the food at 80% microwave power level for 3 minutes and 20 seconds, follow these steps:
 - a. In a standby mode, press "0/MEMORY" twice, until the screen displays "2".
 - b. Press "**TIME COOK**" once, then press "3", "2", "0".
 - c. Press "**POWER**" once, "PL10" will display, then press "8" and "PL8" will display.
 - d. Press "**START/ +30 SEC.**" to save the setting. Buzzer will beep once and the screen will display "2". If you press "**START/+30SEC.**" again, the function will be saved as the memory 2.
 - e. The function will be saved for the future cooking. If power loss is experienced, it will need to be re-entered.
 - f. If you want to run the saved function, in a standby mode, press "**0/MEMORY**" twice, screen will display "2", then press "**START/+30SEC.**" start cooking.

15. MULTI-STAGE COOKING

Up to 2 stages can be set for cooking. In multi-stage cooking, if one stage is defrosting, then defrosting will be placed as the first stage automatically.

Note: Auto cooking cannot be selected for multi-stage cooking.

For example: if you want to cook with 80% microwave power for 5 minutes and 60% microwave power for 10 minutes, here are the setup steps:

- (1) Press "**TIME COOK**" once, then press "5", "0", "0" to set the cooking time;
- (2) Press "**POWER**" once, then press "8" to select 80% oven power level..
- (3) Press "**TIME COOK**" once, then press "1", "0", "0", "0" to set the second cooking time;
- (4) Press "**POWER**" once, then press "6" to select 60% as the second microwave oven power level.
- (5) Press "**START/ +30 SEC.**" to start cooking.

16. CHILD LOCK FUNCTION

Lock: In standby mode, press " **STOP/CANCEL** " for 3 seconds, there will be a long "beep" denoting the entering into the children-lock state; meanwhile, screen will display " [: :] ".

Unlock: While in locked mode, press "**STOP/CANCEL**" for 3 seconds, there will be a long beep indicating that unit is unlocked.

17. INQUIRING FUNCTION

- (1) In cooking mode, press " **CLOCK** ", the microwave oven will display clock for three seconds.
- (2) In the microwave cooking mode, press " **POWER** " to check microwave power level. After three seconds, the microwave oven will go back to stand by mode. In multi-stage mode, power level can be checked the same way.

18. BUZZER BEEP FUNCTION

When cooking timer ends, the buzzer will beep 5 times to remind you.

19. OTHER SPECIFICATIONS

- (1) In standby mode, the set clock time will have ":" flash. Otherwise, it will display "0:00".
- (2) In a setting mode, the screen displays corresponding setting.
- (3) In cooking or pause mode, the screen displays cooking time.

MAINTENANCE

Troubleshooting

Check your problem by using the chart below and try the solutions for each problem. If the microwave oven still does not work properly, contact the nearest authorized service center.

TROUBLE	POSSIBLE CAUSE	POSSIBLE REMEDY
Oven will not start	<ul style="list-style-type: none"> a. Electrical cord for oven is not plugged in. b. Door is open. c. Wrong operation is set. 	<ul style="list-style-type: none"> a. Plug into the outlet. b. Close the door and try again. c. Check instructions.
Arcing or sparking	<ul style="list-style-type: none"> a. Materials to be avoided in microwave oven were used. b. The oven is operated when empty. c. Spilled food remains in the cavity. 	<ul style="list-style-type: none"> a. Use microwave-safe cookware only. b. Do not operate with oven empty. c. Clean cavity with wet towel.
Unevenly cooked foods	<ul style="list-style-type: none"> a. Materials to be avoided in microwave oven were used. b. Food is not defrosted completely. c. Cooking time, power level is not suitable. d. Food is not turned or stirred. 	<ul style="list-style-type: none"> a. Use microwave-safe cookware only. b. Completely defrost food. c. Use correct cooking time, power level. d. Turn or stir food.
Overcooked foods	Cooking time, power level is not suitable.	Use correct cooking time, power level.
Undercooked foods	<ul style="list-style-type: none"> a. Materials to be avoided in microwave oven were used. b. Food is not defrosted completely. c. Oven ventilation ports are restricted. d. Cooking time, power level is not suitable. 	<ul style="list-style-type: none"> a. Use microwave-safe cookware only. b. Completely defrost food. c. Check to see that oven ventilation ports are not restricted. d. Use correct cooking time, power level.
Improper defrosting	<ul style="list-style-type: none"> a. Materials to be avoided in microwave oven were used. b. Cooking time, power level is not suitable. c. Food is not turned or stirred. 	<ul style="list-style-type: none"> a. Use microwave-safe cookware only. b. Use correct cooking time, power level. c. Turn or stir food.

ONE YEAR LIMITED WARRANTY

This product carries a warranty stating that it will be free from defects in material and workmanship for a period of one year from the date of purchase. This warranty is valid for the original retail purchaser from the date of initial retail purchase and is not transferable. Keep your original sales receipt.

IMPORTANT:

1. This warranty does not cover damages resulting from accident, misuse or abuse, lack of reasonable care, the affixing of any attachments not provided with the product, loss of parts, or subjecting the appliance to any but the specified voltage. (Read directions carefully.)
2. This warranty is void if this product is ever used for other than private household purposes.
3. This warranty is void if this product is ever used outside of United States.

If service is required during the warranty period, properly pack your unit. We recommend using the original carton and packing materials.

If additional assistance is needed, please contact customer assistance at:

800-842-1289

Midea America Corp

5 Sylvan Way,

Parsippany, NJ 07054

Midea America Corp. expressly disclaims all responsibility for consequential damages or incidental losses caused by use of the appliance. Some states do not allow this exclusion or limitation of incidental or consequential losses so the foregoing disclaimer may not apply to you. This warranty gives you specific legal rights, and you may also have other rights which may vary from state to state.

The serial number can be found on the back cabinet. We suggest that you record the serial number of your unit in the space below for future reference

Model Number: _____

Serial Number: _____

SAVE THIS FOR YOUR RECORDS

Made in China