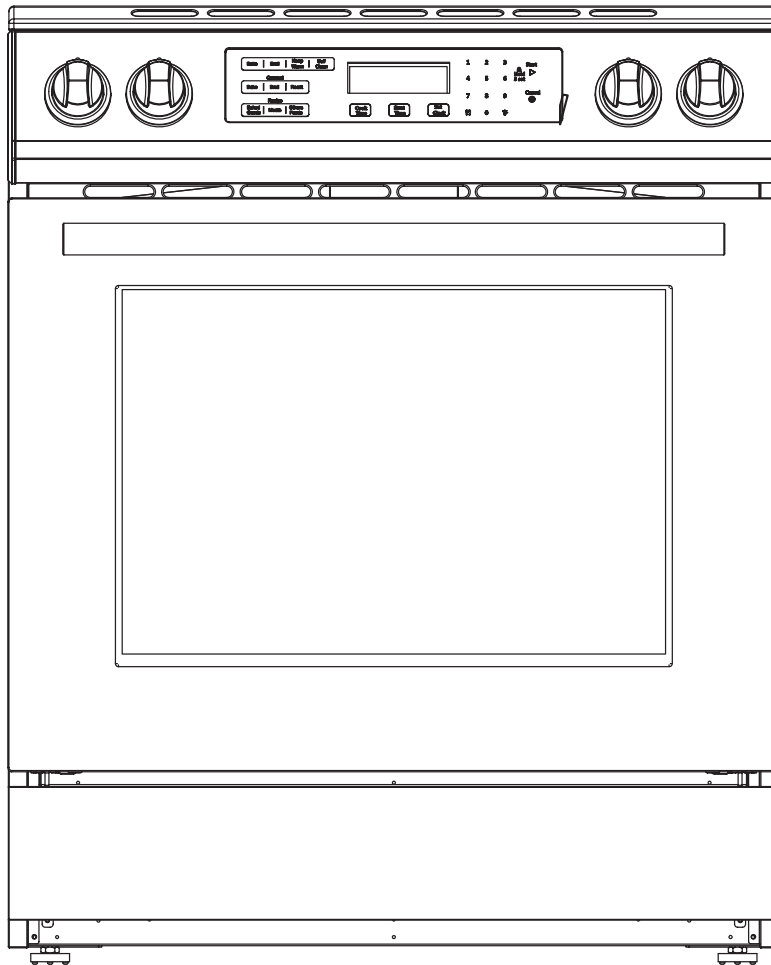

Criterion®

30" Induction Range

Installation Manual



SKU #455-9999 / MODEL # CIR30B1S

▲CAUTION: To reduce the risk of injury, user must read and understand operator's manual. Save these instructions for future reference.

Table of Contents

Table of Contents.....	2
Range Safety.....	3
Installation Requirements.....	5
Electrical Requirements.....	8
Installation Instructions.....	10
Required Set-up Procedure.....	15

For questions, concerns, or for technical service, contact our customer service team via contact information below:

Phone: 702-786-4996

Email: criterion-customer-service@outlook.com

Range Safety

Your safety and the safety of others are very important.

We have provided many important safety messages in this manual and on your appliance. Always read and obey all safety messages.



THIS IS AN URGENT SAFETY ALERT SYMBOL.

This symbol alerts you to potential hazards that can cause serious injury and/or death! All safety messages will be accompanied by this safety alert symbol as well as one of the following words: **DANGER, WARNING, CAUTION.**



Indicates an imminently hazardous situation that can cause serious injury or death if instructions and/or safety precautions are not followed.



Indicates a potentially hazardous situation that if not avoided can cause serious injury or death. Instructions and/or safety precautions must be followed.



Indicates a potentially hazardous situation that if not avoided can cause minor, moderate, serious injury or death. Instructions and/or safety precautions must be followed.

All SAFETY MESSAGES will warn you of what potential hazards are, outline instructions/precautions to follow to avoid the chance of injury/death, and will warn of what can happen if safety instructions/precautions are not followed.



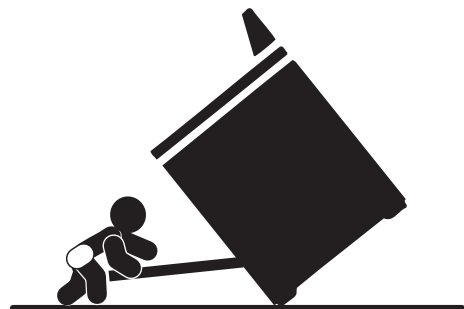
State of California Proposition 65 Warning

This product can expose you to chemicals including lead (and lead compounds), which are known to the State of California to cause cancer and birth defects or other reproductive harm. For more information go to [www. P65Warnings.ca.gov](http://www.P65Warnings.ca.gov).

⚠️ WARNING

Tip Over Hazard

- Adults and/or children can seriously injured and/or killed in the event that this range tips over when handling due to the range not being secured properly to floor using the anti-tip bracket included.
- Connect the anti-tip bracket to rear range feet per instructions in this manual.
- Reconnect the anti-tip bracket per instructions in this manual if the range is moved.
- Failure to follow these safety warnings, precautions, instructions can result in serious injury, and/or burns to children or adults.



! IMPORTANT ! THIS RANGE COMES WITH A 40A, 120/240V RATED 4-PRONG POWER CORD PRE-INSTALLED ON RANGE.

Note: The 4-prong range power cord will require a compatible, properly grounded 50A / 240V 4-prong range receptacle. It is required that this power receptacle be installed by a licensed electrician. If a power receptacle is already installed, the installation should be examined, tested and approved by a licensed electrician to verify that the proper required electrical circuit specifications are met and that the range receptacle complies with all applicable federal & state electrical codes/standards. Failure to do so can result in personal safety issues, electrical and/or fire hazard, damage to the range and/or electrical circuit wiring and will VOID the warranty for this product. For additional installation requirements/specifications, see information contained in subsequent “Installation Requirements” sections to follow in this manual.

Installation Requirements

Tools and Parts

Some or all of the tools listed below may be required for installation. Read and follow all installation instructions using recommended tools

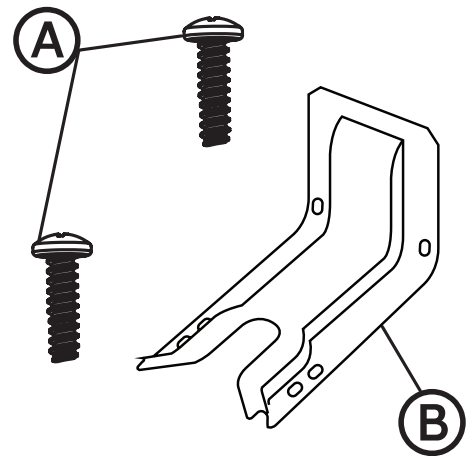
Tools Needed

- Tape Measure
- Flat-Blade Screwdriver
- Phillips Screwdriver
- Level
- Cordless Electric Drill
- Hammer
- Wrench or Pliers
- 15/16" Combination Wrench
- 3/8" Nut Driver
- 1/4" Nut Driver
- 1/8" (3.2 mm) Drill Bit (for wood floors)
- Marker or Pencil
- Masking Tape

Parts Supplied

! IMPORTANT ! Check to make sure all parts are included prior to installation.

- a. 3/8" x 2" Screw (x2)
- b. Anti-tip Bracket



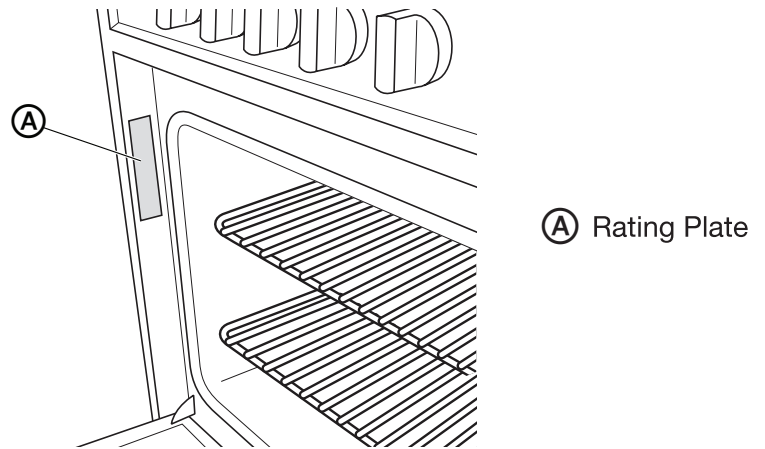
! IMPORTANT ! THE ANTI-TIP BRACKET MUST BE SECURELY INSTALLED THROUGH THE SILL PLATE OF THE WALL STRUCTURE AND/OR THE SUB-FLOOR OF THE INSTALLATION SPACE. REVIEW THESE INSTALLATION INSTRUCTION TO DETERMINE BEST BRACKET MOUNTING SURFACE. THE THICKNESS OF THE YOUR WALL STRUCTURE AND/OR FLOORING/ SUB-FLOORING MAY REQUIRE THAT SCREWS LONGER THAN THE SCREWS PROVIDED BE USED TO PROPERLY ANCHOR THE ANTI-TIP BRACKET. REVIEW THIS PRIOR TO INSTALLATION. RETAIN LONGER SCREWS AVAILABLE AT YOUR LOCAL HARDWARE STORE IF REQUIRED AND FOLLOW ALL INSTRUCTIONS FOR INSTALLATION OF THE ANTI-TIP BRACKET TO PREVENT SERIOUS INJURY AND/OR DEATH !

Location Requirements

Ventilation

! IMPORTANT ! Installer must review & comply with all governing federal and local codes & ordinances.

It is the installers responsibility to comply with all designated clearance specifications for ventilation purposes included in these installation instructions, on the model/serial rating plate, and/or within local code requirements. The model/serial plate is located on the vertical left-hand side of the oven frame. Oven door must be opened to view rating plate.



Temperature

! IMPORTANT ! Some cabinet and building materials are not designed to withstand the heat produced by the oven for baking and self-cleaning. Check with your builder or cabinet supplier to make sure that the materials used will not discolor, delaminate, or sustain other damage.

- Contact a qualified floor covering installer to check that the floor covering can withstand at least 200° F (93° C).
- Use an insulated pad or 1/4" (0.64 cm) plywood under range if installing range over carpeting.

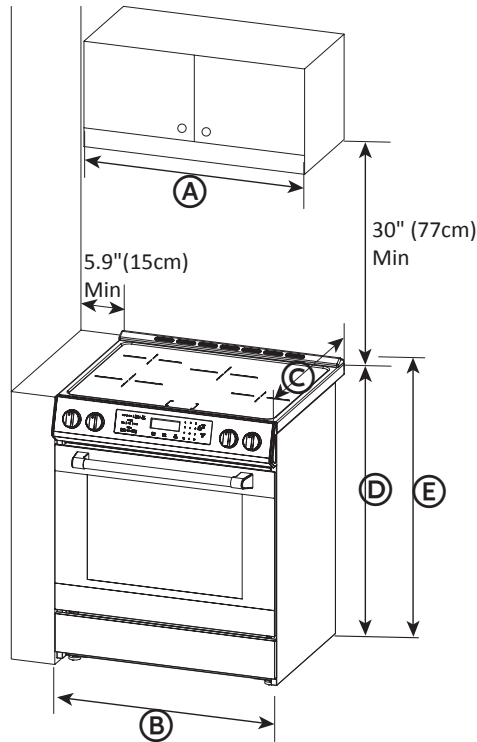
General

- The range should be located for convenient use in the kitchen.
- Recessed installations must provide complete enclosure of the sides and rear of the range.
- To eliminate the risk of burns or fire by reaching over heated surface units, cabinet storage space located above the surface units should be avoided. If cabinet storage is to be provided, the risk can be reduced by installing a range hood or microwave hood combination that projects horizontally a minimum of 5" (12.7 cm) beyond the bottom of the cabinets.
- All openings in the wall or floor where the range is to be installed must be sealed.
- Do not seal the range to the side cabinets.
- Grounded electrical supply is required. See "Electrical Requirements" section.

Dimensions

Opening For Product Installation Reference

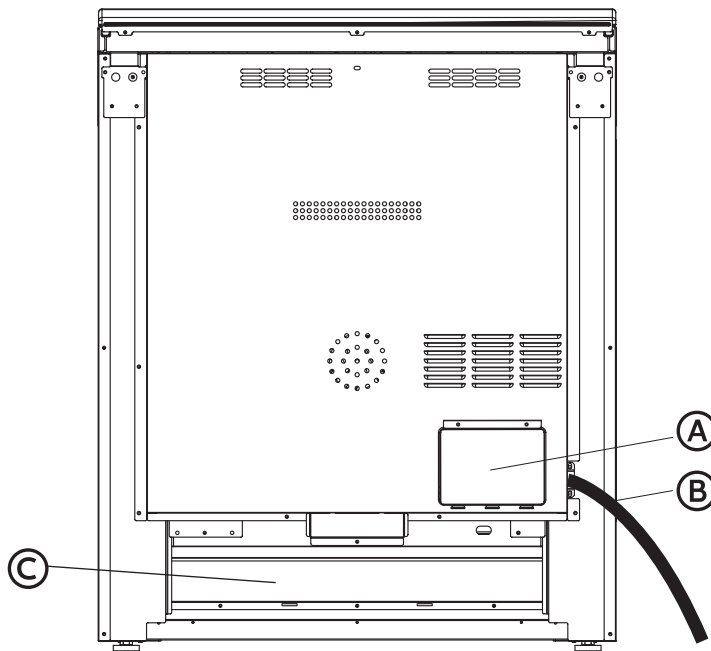
Opening dimensions shown are for 25" (64 cm) countertop depth and 24" (61 cm) base cabinet depth and 36" (91.4 cm) countertop height.



	Dimension
(A)	30" (76 cm)
(B)	30" (76 cm)
(C)	25" (63.5 cm)
(D)	36" (91.4 cm)
(E)	37" (93.9 cm)

Note: Range height can be adjusted approximately 1" by adjusting leveling legs under base of range.

Back of Range



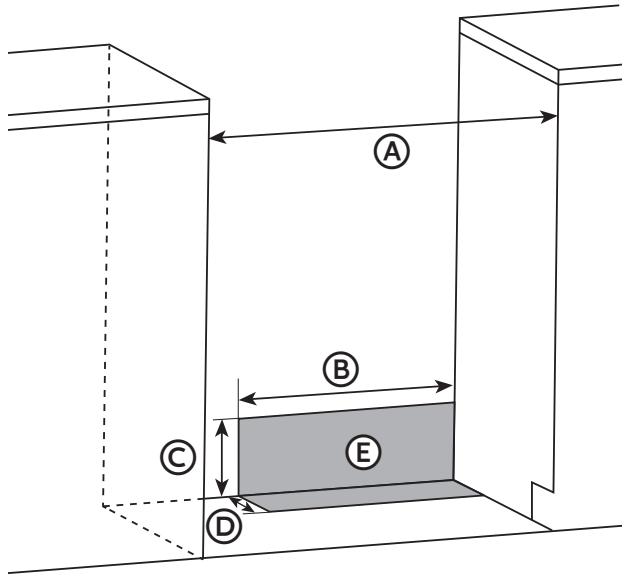
- (A) Access Panel to Electrical Supply Connection
- (B) Power Cord Opening
- (C) Recessed Area

! IMPORTANT ! THIS RANGE COMES WITH A 40A, 120/240V RATED 4-PRONG POWER CORD PRE-INSTALLED ON RANGE.

Electrical Requirements

Power Supply

! IMPORTANT ! To connect to an outlet in the wall, the electrical outlet must be recessed. If the electrical outlet is in the floor, it can be either recessed or surface mounted.



- Ⓐ 30" (76 cm)
- Ⓑ 17 ½" (44 cm)
- Ⓒ 7 ¼" (18.4 cm)
- Ⓓ 3" (7.6 cm)
- Ⓔ Recommended Location
For Electrical Outlet

! IMPORTANT ! THIS RANGE COMES WITH A 40A, 120/240V RATED 4-PRONG POWER CORD PRE-INSTALLED ON RANGE.

Electrical Requirements

! IMPORTANT ! The 4-prong range power cord will require a compatible, properly grounded 50A / 240V 4-prong range receptacle. It is required that this power receptacle be installed by a licensed electrician. If a power receptacle is already installed, the installation should be examined, tested and approved by a licensed electrician to verify that the proper required electrical circuit specifications are met and that the range receptacle complies with all applicable federal & state electrical codes/standards. Failure to do so can result in personal safety issues, electrical and/or fire hazard, damage to the range and/or electrical circuit wiring and will VOID the warranty for this product. For additional installation requirements/specifications, see information contained in subsequent "Installation Requirements" sections to follow in this manual.

! IMPORTANT ! Licensed electrician/installer must determine the proper electrical connection required for application. If installation application requires electrical connection other than utilizing the pre-installed 4-prong power cord, a licensed electrician MUST install in compliance with all

federal, state and/or local codes/ordinances, in conformance to National Electric Code ANSI/NFPA No. 70 -latest edition. A copy of the federal code standards mentioned above can be obtained from your local authorities or from:

National Fire Protection Association

1 Batterymarch Park
Quincy, MA 02269
Phone: (617) 770-3000

! IMPORTANT ! DO NOT USE AN EXTENSION CORD WITH THIS APPLIANCE

!!! Do not use an aluminum wire receptacle with copper-wired power cord and plug (or vice versa). The proper wiring and receptacle specification is a copper-wired power cord with a copper-wired receptacle.

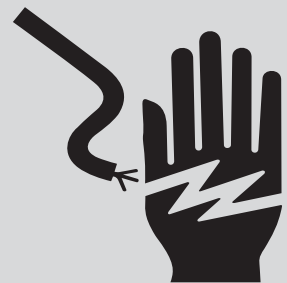
!!! The electrical outlet should be located so that the power cord is accessible when the range is in the installed position.

Voltage and Frequency	Amps	Circuit Required
240V, 60 Hz	50 A	50 Amp Circuit

⚠ WARNING

Electrical Shock Hazard

- Insert pre-installed 4-prong power cord into compatible 50A / 240V 4-prong range outlet and ensure proper grounding.
- Do not use extension cord.
- Disconnect power before servicing.
- Failure to follow all installation instructions and electrical requirements can result in electrical shock, fire, serious injury, and/or death.



Installation Instructions

⚠ WARNING

Excessive Weight Hazard

- Use two or more people when unpacking and/or moving range for installation.
- Failure to do so can result in back or other injury.

Step 1 - Unpack Range

1. Remove all exterior shipping materials from range.
2. Remove all tape and/or film from range.
3. Open range oven door and remove oven racks parts package.
4. Using 2 or more people, firmly grasp range and gently remove range from the wooden shipping pallet and onto ground.

Note: Leveling legs beneath range can be adjusted prior to installation of the anti-tip bracket.

! CAUTION ! THIS REQUIRES TWO PEOPLE.

Adjustment can be made by very slightly lifting the range front or back and securing a block under the side of the range where leveling legs will be adjusted (front/back). **ONLY RAISE ONE SIDE OF RANGE AT A TIME!** Once range front or back is slightly elevated and securely stable, adjust leveling leg by turning either clockwise to shorten leg, or counter-clockwise to extend the leg. Once legs are adjusted, remove secure block and gently lower range front or back to floor.

Note: Leveling legs should be adjusted prior to range being secured into properly installed anti-tip bracket.

Step 2 - Install Anti-Tip Bracket

Note: An anti-tip bracket kit is provided with the range. See page 5.

! IMPORTANT ! THE ANTI-TIP BRACKET MUST BE SECURELY INSTALLED THROUGH THE SILL PLATE OF THE WALL STRUCTURE AND/OR THE SUB-FLOOR OF THE INSTALLATION SPACE. REVIEW THESE INSTALLATION INSTRUCTION TO DETERMINE BEST BRACKET MOUNTING SURFACE. THE THICKNESS OF THE YOUR WALL STRUCTURE AND/OR FLOORING/ SUB-FLOORING MAY REQUIRE THAT SCREWS LONGER THAN THE SCREWS PROVIDED BE USED TO PROPERLY ANCHOR THE ANTI-TIP BRACKET. REVIEW THIS PRIOR TO INSTALLATION. RETAIN LONGER SCREWS AVAILABLE AT YOUR LOCAL HARDWARE STORE IF REQUIRED AND FOLLOW ALL INSTRUCTIONS FOR INSTALLATION OF THE ANTI-TIP BRACKET TO PREVENT SERIOUS INJURY AND/OR DEATH !

⚠️ WARNING Tip Over Hazard

- A child or adult can tip the range and be injured or killed.
- Connect anti-tip bracket to rear range foot.
- Reconnect the anti-tip bracket if the range is moved.
- Failure to follow these instructions can result in death or serious burns to children and adults.

! IMPORTANT ! Do not completely remove the rear leveling leg. The anti-tip bracket uses either the right-hand or left-hand, rear leveling leg to secure the range to the floor.

A. Locate the Bracket

Determine the final location of the range before attempting to install the bracket.

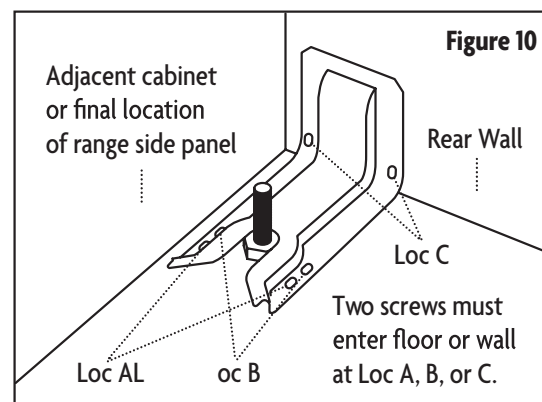
1. Place the bracket on the floor with the back edge against the rear wall. If the range does not reach the rear wall, align the back edge of the bracket with the rear panel of the range in its final location.

Note: If the bracket does not touch the rear wall, you **MUST** screw bracket to floor.

2. Position the side of the bracket against either the left or right cabinet. If there is no adjacent cabinet, align the edge of the bracket with the side panel of the range in its final location. If the countertop overhangs the cabinet, offset the bracket from the cabinet by the amount of overhang.

3. Mark the location for the pair of holes to be used. (See Figure 10)

Note: For FLOOR installation, use either LOC A or B. For REAR WALL installation, use LOC C.

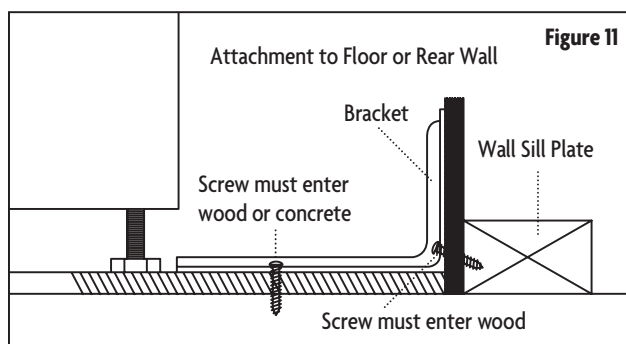


B. Secure the Bracket

THE ANTI-TIP BRACKET MUST BE SECURELY INSTALLED THROUGH THE SILL PLATE OF THE WALL STRUCTURE AND/OR THE SUB-FLOOR OF THE INSTALLATION SPACE.

Floor Installation:

- **Wood Floor:** Use the screws provided or longer screws (if required) to secure the bracket into the subfloor using the pair of marked holes (Either LOC A or B).
- **Concrete Floor:** Using a concrete bit, drill a 5/32" pilot hole 2" deep into the concrete at the center of each of the marked holes (Either LOC A or B). Use the screws provided to secure the bracket into the floor.



Rear Wall Installation:

Use the 2 screws provided or longer screws (if required) to secure the bracket to the sill plate of the wall structure using the pair of marked holes at LOC C. The screws **MUST** enter into a wood sill plate. If the wall contains any metal studs or similar materials, then the floor must be used.

C. Check the Bracket

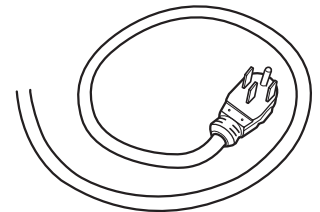
After installing the bracket, slide the range into its final location. The rear leveling leg must be fully inserted into the ANTI-TIP bracket as shown in Figure 10. To check if the bracket is installed and engaged properly, look underneath the range to see that the rear leveling leg is engaged in the bracket. The kick panel can be removed for easier inspection. If visual inspection is not possible, slide the range forward, confirm the anti-tip bracket is securely attached to the floor or wall, and slide the range back so the leveling leg is under the anti-tip bracket. If the range is pulled from the wall for any reason, always repeat this procedure to verify the range is properly secured by the anti-tip bracket.

Note: The anti-tip bracket must be **PROPERLY INSTALLED** and the rear leveling leg must be **FULLY ENGAGED** into the bracket to prevent the range from tipping. **NEVER** remove the leveling legs. This will prevent the range from being secured to the ANTI-TIP bracket properly.

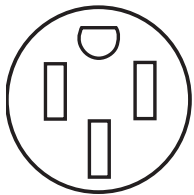
Step 3 - Make Electrical Connection

Power Cord/Electrical Connection - USA Only

! IMPORTANT ! Power Cord: This range comes with a 40A, 120/240V rated 4-prong power cord pre-installed on range.



Electrical Requirements:



The 4-prong range power cord will require a compatible, properly grounded 50A / 240V 4-prong range receptacle (14-50R). It is required that this power receptacle be installed by a licensed electrician. If a power receptacle is already installed, the installation should be examined, tested and approved by a licensed electrician to verify that the proper required electrical circuit specifications are met and that the range receptacle complies with all applicable federal & state electrical codes/standards. Failure to do so can result in personal safety issues, electrical and/or fire hazard, damage to the range and/or electrical circuit wiring and will VOID the warranty for this product. For additional installation requirements/specifications, see information contained in subsequent "Installation Requirements" sections to follow in this manual.

1. To make electrical connection, plug preinstalled power cord into a a compatible, properly grounded 50A / 240V 4-prong range receptacle (14-50R).
2. Once power cord is plugged into required receptacle, proceed to Step 4 "Install Range".

! IMPORTANT ! Licensed electrician/installer must determine the proper electrical connection required for application. If installation application requires electrical connection other than utilizing the pre-installed 4-prong power cord, a licensed electrician **MUST** install in compliance with all federal, state and/or local codes/ordinances, in conformance to National Electric Code ANSI/NFPA No. 70 - latest edition. A copy of the federal code standards mentioned above can be obtained from your local authorities or from:

National Fire Protection Association

1 Batterymarch Park
Quincy, MA 02269
Phone: (617) 770-3000

! WARNING

Electrical Shock Hazard

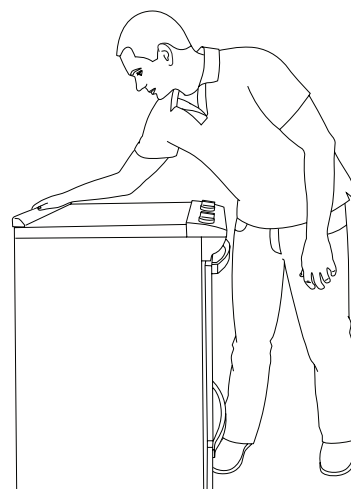
- **Insert pre-installed 4-prong power cord into compatible 50A / 240V 4-prong range outlet and ensure proper grounding.**
- **Do not use extension cord.**
- **Disconnect power before servicing.**
- **Failure to follow all installation instructions and electrical requirements can result in electrical shock, fire, serious injury, and/or death.**



Step 4 - Install Range

! IMPORTANT ! If the range is moved to adjust the leveling legs, make sure when you move the range back into its final location that the anti-tip bracket is engaged.

1. Slide range into final location, making sure rear leveling leg slides into anti-tip wall bracket. Leave a 1" (2.5 cm) gap between the back of the range and the back wall.
2. Place the outside of your foot against the bottom front to keep the range from moving, and then grasp the back of the range, as shown.
3. Slowly attempt to tilt the range forward. If you encounter immediate resistance, the range foot is engaged in the anti-tip bracket. Go to Step 8.
4. If the rear of the range lifts more than 1/2" (1.3 cm) off the floor without resistance, stop tilting the range and lower it gently back to the floor. The range foot is **NOT** engaged in the anti-tip bracket.



! IMPORTANT ! If there is a snapping or popping sound when lifting the range, the range may not be fully engaged in the bracket. Check to see if there are obstructions keeping the range from sliding to the wall or keeping the range foot from sliding into the bracket. Verify that the bracket is held securely in place by the mounting screws.

5. Slide the range forward and verify that the anti-tip bracket is securely attached to the floor or wall.
6. Slide the range back so the rear range foot is inserted into the slot of the anti-tip bracket.
7. Repeat steps 1 through 3 to ensure that the range foot is engaged in the anti-tip bracket.

If the rear of the range lifts more than 1/2" (1.3 cm) off the floor without resistance, the anti-tip bracket may not be installed correctly. Do not operate the range without anti-tip bracket installed and engaged.

8. Move the range into its final location. Check that the range is level by placing a level on the oven bottom.

Note: The range must be level for optimum cooking and baking performance.

9. If needed, use a wrench to adjust the height of the leveling legs until the range is level from side to side and front to back.

Step 5 - Complete Installation

! IMPORTANT ! Installation should only be performed by a licensed electrician!

1. Reconnect power at circuit breaker or fuse box.
2. Turn on each cooktop element to check that all are heating correctly. Make sure all control and indicator lights are illuminating and functioning correctly.
3. If cooktop is not functioning properly, turn controls off and consult your licensed electrician to review installation.
4. To calibrate oven controls and to check that oven burners and convection fans are functioning correctly, perform "Required Setup Procedure" outlined on hang-tag affixed to range (See next page).
5. If oven is not heating up and functioning properly within 5 minutes through the setup procedure, turn the controls off and consult your licensed electrician to review installation.

If the range is NOT functioning properly, consult your licensed electrician to check the following:

- Household fuse is intact and tight and/or that the circuit breaker has not tripped.
- Range is plugged into a properly grounded power outlet matching all required specifications outlined in this manual.
- Have a licensed electrician confirm that the electrical supply is connected properly.

REQUIRED **SET-UP PROCEDURE**

One Time Oven Activation Quick Start!

1. Plug pre-installed power cord into 4-prong 50A / 240V properly grounded electrical circuit outlet only. Consult installation manual for additional information/requirements. **MUST BE INSTALLED/ APPROVED BY LICENSED ELECTRICIAN!** (For 3-prong conversion, use "NEMA" 120V/240V 50A adapter installed by licensed electrician. All other electrical installations must be performed by licensed electrician to comply with warranty terms.)
2. Once unit is plugged in, the LED display should show 12:00.
3. On LED display, touch "Conv Bake" setting. Then touch "Cook Time" and the numbers "3" and "0" to set a cook time of 30 minutes. A default temperature of 325° will appear. Push "Start" to initiate oven operation.
4. Let oven cycle for the 30 minutes until you hear a series of "beeps". Oven will stop heating and the fan will automatically come on to cool down the oven. Oven will be ready for use.
5. See manual to set correct time on control clock and to review instructions on using automatic cooking features.

Important Note: Induction cooktop will only work properly with cookware designed for induction cooktops.

For questions, concerns, or for technical service, contact our customer service team via contact information below:

Phone: 702-786-4996

Email: criterion-customer-service@outlook.com